

Hole Punch Unit Type 3131
(B734)

Hole Punch Unit Type3131 (B734)

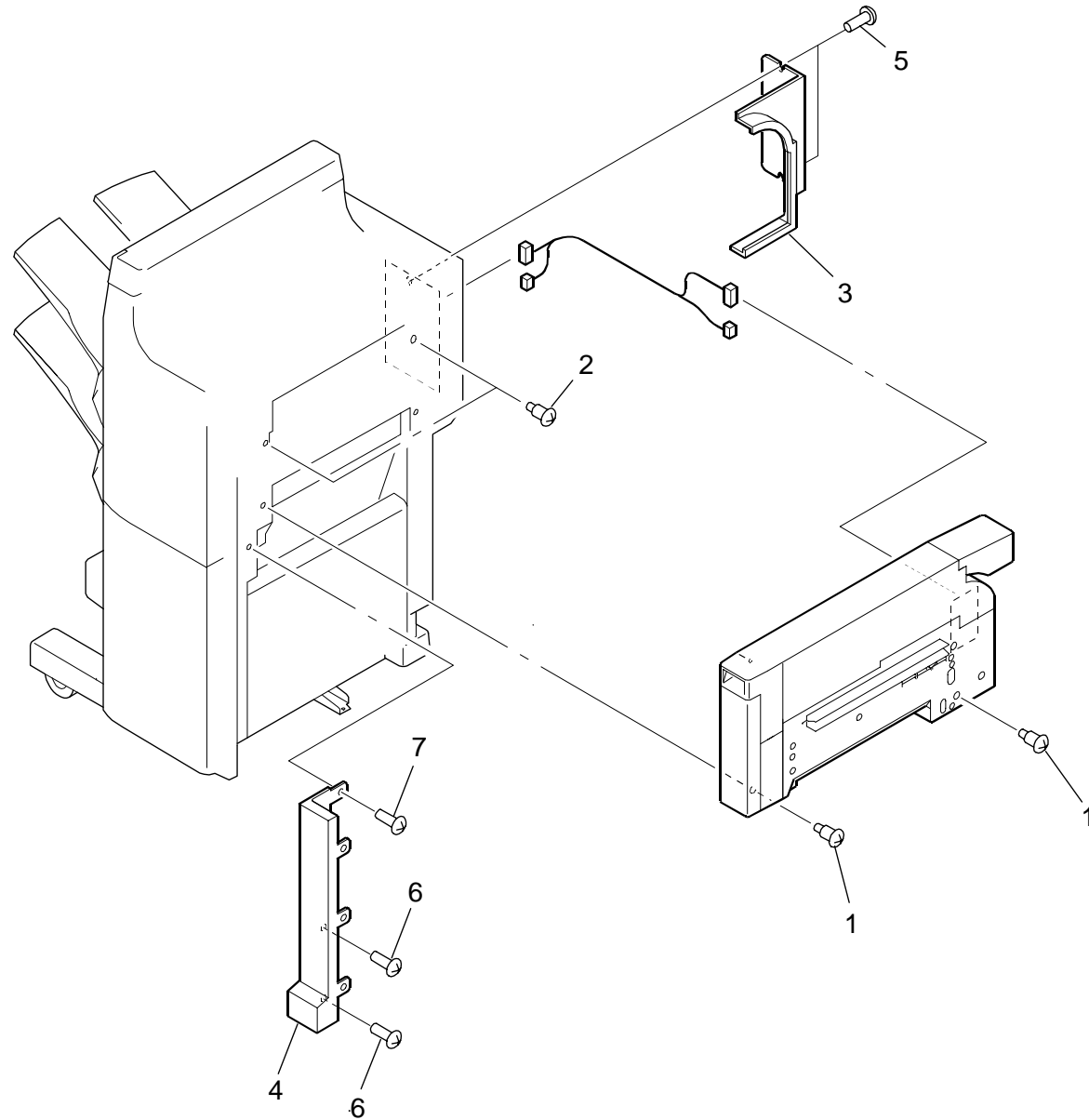
PARTS CATALOG

This catalog gives the numbers and names of parts on this machine.

| | |
|------------------------------------|----------|
| 1.ATTACHMENT (B734)..... | 2 |
| 2.PUNCH MAIN BODY (B734) | 4 |
| 3.PUNCH SLIDE ASSEMBLY (B734)..... | 6 |
| PARTS INDEX | 9 |

May ,15 ' 2004

1.ATTACHMENT (B734)

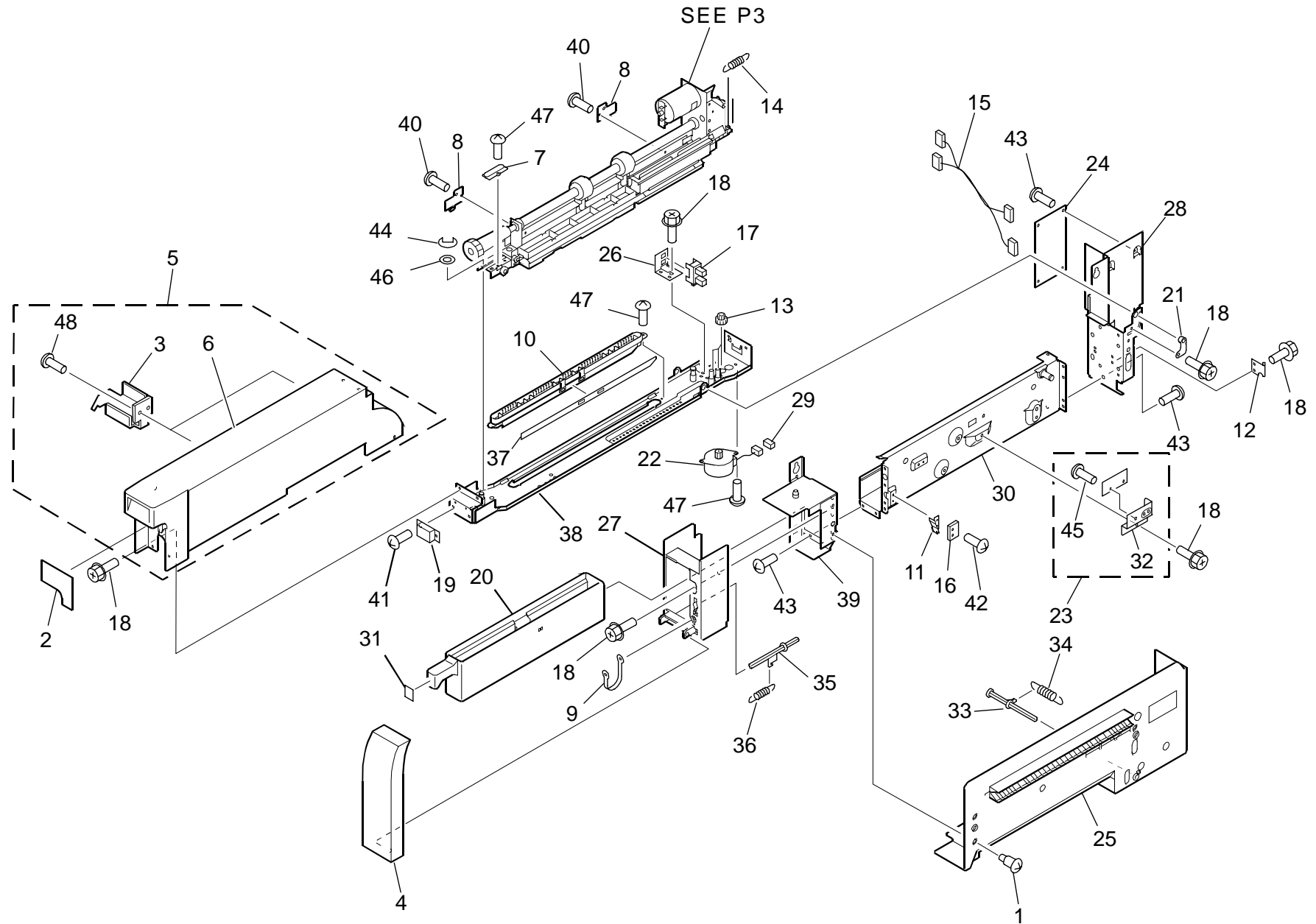


1.ATTACHMENT (B734)

| Index No. | Part No. | Description | Q'ty Per Assembly |
|-----------|-----------|---------------------------|-------------------|
| 1 | B734 1001 | Screw (4402356490) | 2 |
| 2 | B734 1002 | Screw (44209949000) | 2 |
| 3 | B734 1003 | Cover (44210659000) | 1 |
| 4 | B734 1004 | Cover (44210822000) | 1 |
| 5 | B723 7013 | Screw (4402352090) | 1 |
| 6 | B723 7004 | Screw (4400792330) | 2 |
| 7 | B734 1007 | Screw M4x16 (x0-01281000) | 1 |

| Index No. | Part No. | Description | Q'ty Per Assembly |
|-----------|----------|-------------|-------------------|
| | | | |

2.PUNCH MAIN BODY (B734)

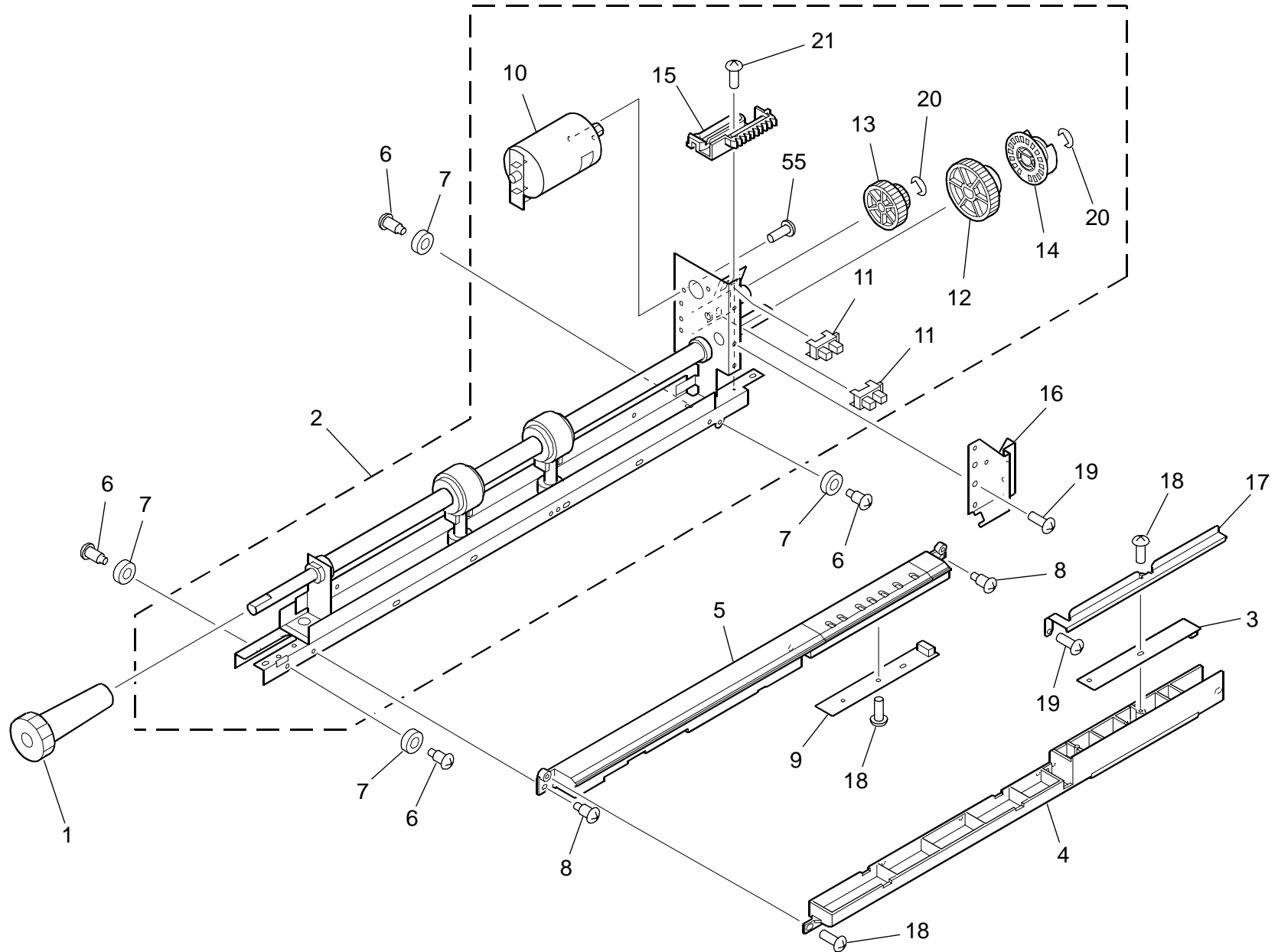


2.PUNCH MAIN BODY (B734)

| Index No. | Part No. | Description | Q'ty Per Assembly |
|-----------|-----------|----------------------------|-------------------|
| 1 | B723 7024 | Screw (44209653000) | 4 |
| 2 | B734 1102 | Label (44209549000) | 1 |
| 3 | B734 1139 | Bracket (44210848000) | 2 |
| 4 | B734 1103 | Door (44210651000) | 1 |
| 5 | B734 1104 | Cover (44210825000) | 1 |
| 6 | B734 1138 | Cover (44210652000) | 1 |
| 7 | B734 1105 | Plate (44209951000) | 1 |
| 8 | B734 1106 | Plate (44209952000) | 2 |
| 9 | B734 1107 | Tape (44210657000) | 1 |
| 10 | B734 1108 | Duct (44209955000) | 1 |
| 11 | B734 1109 | Spr-leaf (44209956000) | 1 |
| 12 | B723 4140 | Spring (44209957000) | 1 |
| 13 | B734 1111 | Gear (44209958000) | 3 |
| 14 | B734 1112 | Spring-ext (44209959000) | 1 |
| 15 | B734 1137 | Wire Harness (44210841000) | 1 |
| 16 | B723 5002 | Switch (4400790510) | 1 |
| 17 | B723 1043 | Sensor (44209666000) | 1 |
| 18 | B723 7004 | Screw (4400792330) | 8 |
| 19 | B734 1116 | Catch Magnet (4407837720) | 1 |
| 20 | B734 1117 | Box (44209961000) | 1 |
| 21 | B734 1118 | Plate (44209962000) | 1 |
| 22 | B734 1119 | Motor Dc24v (44209963000) | 1 |
| 23 | B734 1120 | Switch (44209964000) | 1 |
| 24 | B734 1136 | PCB Assy (44210024000) | 1 |
| 25 | B734 1121 | Guide Assy (44210827000) | 1 |
| 26 | B734 1135 | Bracket (44210017000) | 1 |
| 27 | B734 1122 | Cover (44210829000) | 1 |
| 28 | B734 1134 | Bracket (44210016000) | 1 |
| 29 | B723 5004 | Connector (4402350100) | 1 |
| 30 | B734 1124 | Bracket (44210658000) | 1 |
| 31 | B734 1125 | Seal (44209548000) | 1 |
| 32 | B734 1126 | Holder (44209965000) | 1 |
| 33 | B734 1127 | Arm (44209968000) | 1 |
| 34 | B723 1016 | Spring (4402349880) | 1 |
| 35 | B734 1129 | Lever (44209971000) | 1 |

| Index No. | Part No. | Description | Q'ty Per Assembly |
|-----------|-----------|----------------------------|-------------------|
| 36 | B723 1016 | Spring (4402349880) | 1 |
| 37 | B734 1131 | Sheet (44210012000) | 1 |
| 38 | B734 1132 | Frame (44210011000) | 1 |
| 39 | B734 1133 | Bracket Assy (44210013000) | 1 |
| 40 | B734 1140 | Screw (44209973000) | 2 |
| 41 | B734 1141 | Screw (4402356860) | 2 |
| 42 | B723 7002 | Screw (4400595930) | 1 |
| 43 | B723 7039 | Screw-m4x6 (X0-01747000) | 11 |
| 44 | B723 3004 | Ring (4402016800) | 2 |
| 45 | B723 7005 | Screw (4402015230) | 1 |
| 46 | B734 1146 | Washer (4402016440) | 2 |
| 47 | B723 7036 | Screw-m3x6 (X0-00431000) | 3 |
| 48 | B723 7013 | Screw (4402352090) | 2 |

3.PUNCH SLIDE ASSEMBLY (B734)



3.PUNCH SLIDE ASSEMBLY (B734)

| Index No. | Part No. | Description | Q'ty Per Assembly |
|-----------|-----------|----------------------------|-------------------|
| * | B734 1201 | Slider Assy (44209976000) | 1 |
| 1 | B734 1202 | Knob (44209979000) | 1 |
| 2 | B734 1203 | Pnc Unt Assy (44209981000) | 1 |
| 3 | B734 1204 | PCB Assy (44209989000) | 1 |
| 4 | B734 1205 | Holder (44209990000) | 1 |
| 5 | B734 1206 | Holder (44209991000) | 1 |
| 6 | B723 7019 | Screw-m3 (4407838280) | 4 |
| 7 | B734 1208 | Roller (4402351880) | 4 |
| 8 | B734 1209 | Screw (44209992000) | 2 |
| 9 | B734 1210 | PCB Assy (44209993000) | 1 |
| 10 | B734 1211 | Motor Dc24v (44209984000) | 1 |
| 11 | B734 1212 | IC Tlp1253 (44209985000) | 2 |
| 12 | B734 1213 | Gear (44209986000) | 1 |
| 13 | B734 1214 | Gear (44209987000) | 1 |
| 14 | B734 1215 | Encoder (44209988000) | 1 |
| 15 | B734 1216 | Rack (44210025000) | 1 |
| 16 | B734 1217 | Guide (44210019000) | 1 |
| 17 | B734 1218 | Plate (44210020000) | 1 |
| 18 | B723 7005 | Screw (4402015230) | 4 |
| 19 | B723 7036 | Screw-m3x6 (X0-00431000) | 5 |
| 20 | B723 3004 | Ring (4402016800) | 2 |
| 21 | B734 1222 | Screw (44209994000) | 1 |
| 22 | B734 1223 | Screw (44209995000) | 5 |

| Index No. | Part No. | Description | Q'ty Per Assembly |
|-----------|----------|-------------|-------------------|
| | | | |

Parts Index

Parts Index

| Part No. | Description | Page and Index No. |
|-----------|----------------------------|--------------------|
| B734 1001 | Screw (4402356490) | 3 - 1 |
| B734 1002 | Screw (44209949000) | 3 - 2 |
| B734 1003 | Cover (44210659000) | 3 - 3 |
| B734 1004 | Cover (44210822000) | 3 - 4 |
| B734 1007 | Screw M4x16 (x0-01281000) | 3 - 7 |
| B734 1102 | Label (44209549000) | 5 - 2 |
| B734 1103 | Door (44210651000) | 5 - 4 |
| B734 1104 | Cover (44210825000) | 5 - 5 |
| B734 1105 | Plate (44209951000) | 5 - 7 |
| B734 1106 | Plate (44209952000) | 5 - 8 |
| B734 1107 | Tape (44210657000) | 5 - 9 |
| B734 1108 | Duct (44209955000) | 5 - 10 |
| B734 1109 | Spr-leaf (44209956000) | 5 - 11 |
| B734 1111 | Gear (44209958000) | 5 - 13 |
| B734 1112 | Spring-ext (44209959000) | 5 - 14 |
| B734 1116 | Catch Magnet (4407837720) | 5 - 19 |
| B734 1117 | Box (44209961000) | 5 - 20 |
| B734 1118 | Plate (44209962000) | 5 - 21 |
| B734 1119 | Motor Dc24v (44209963000) | 5 - 22 |
| B734 1120 | Switch (44209964000) | 5 - 23 |
| B734 1121 | Guide Assy (44210827000) | 5 - 25 |
| B734 1122 | Cover (44210829000) | 5 - 27 |
| B734 1124 | Bracket (44210658000) | 5 - 30 |
| B734 1125 | Seal (44209548000) | 5 - 31 |
| B734 1126 | Holder (44209965000) | 5 - 32 |
| B734 1127 | Arm (44209968000) | 5 - 33 |
| B734 1129 | Lever (44209971000) | 5 - 35 |
| B734 1131 | Sheet (44210012000) | 5 - 37 |
| B734 1132 | Frame (44210011000) | 5 - 38 |
| B734 1133 | Bracket Assy (44210013000) | 5 - 39 |
| B734 1134 | Bracket (44210016000) | 5 - 28 |
| B734 1135 | Bracket (44210017000) | 5 - 26 |
| B734 1136 | PCB Assy (44210024000) | 5 - 24 |
| B734 1137 | Wire Harness (44210841000) | 5 - 15 |
| B734 1138 | Cover (44210652000) | 5 - 6 |

| Part No. | Description | Page and Index No. |
|-----------|----------------------------|--------------------|
| B734 1139 | Bracket (44210848000) | 5 - 3 |
| B734 1140 | Screw (44209973000) | 5 - 40 |
| B734 1141 | Screw (4402356860) | 5 - 41 |
| B734 1146 | Washer (4402016440) | 5 - 46 |
| B734 1201 | Slider Assy (44209976000) | 7 - * |
| B734 1202 | Knob (44209979000) | 7 - 1 |
| B734 1203 | Pnc Unt Assy (44209981000) | 7 - 2 |
| B734 1204 | PCB Assy (44209989000) | 7 - 3 |
| B734 1205 | Holder (44209990000) | 7 - 4 |
| B734 1206 | Holder (44209991000) | 7 - 5 |
| B734 1208 | Roller (4402351880) | 7 - 7 |
| B734 1209 | Screw (44209992000) | 7 - 8 |
| B734 1210 | PCB Assy (44209993000) | 7 - 9 |
| B734 1211 | Motor Dc24v (44209984000) | 7 - 10 |
| B734 1212 | IC Tlp1253 (44209985000) | 7 - 11 |
| B734 1213 | Gear (44209986000) | 7 - 12 |
| B734 1214 | Gear (44209987000) | 7 - 13 |
| B734 1215 | Encoder (44209988000) | 7 - 14 |
| B734 1216 | Rack (44210025000) | 7 - 15 |
| B734 1217 | Guide (44210019000) | 7 - 16 |
| B734 1218 | Plate (44210020000) | 7 - 17 |
| B734 1222 | Screw (44209994000) | 7 - 21 |
| B734 1223 | Screw (44209995000) | 7 - 22 |

| Part No. | Description | Page and Index No. |
|-----------|--------------------------|--------------------|
| B723 1016 | Spring (4402349880) | 5 - 36 |
| B723 1016 | Spring (4402349880) | 5 - 34 |
| B723 1043 | Sensor (44209666000) | 5 - 17 |
| B723 3004 | Ring (4402016800) | 5 - 44 |
| B723 3004 | Ring (4402016800) | 7 - 20 |
| B723 4140 | Spring (44209957000) | 5 - 12 |
| B723 5002 | Switch (4400790510) | 5 - 16 |
| B723 5004 | Connector (4402350100) | 5 - 29 |
| B723 7002 | Screw (4400595930) | 5 - 42 |
| B723 7004 | Screw (4400792330) | 5 - 18 |
| B723 7004 | Screw (4400792330) | 3 - 6 |
| B723 7005 | Screw (4402015230) | 5 - 45 |
| B723 7005 | Screw (4402015230) | 7 - 18 |
| B723 7013 | Screw (4402352090) | 5 - 48 |
| B723 7013 | Screw (4402352090) | 3 - 5 |
| B723 7019 | Screw-m3 (4407838280) | 7 - 6 |
| B723 7024 | Screw (44209653000) | 5 - 1 |
| B723 7036 | Screw-m3x6 (X0-00431000) | 5 - 47 |
| B723 7036 | Screw-m3x6 (X0-00431000) | 7 - 19 |
| B723 7039 | Screw-m4x6 (X0-01747000) | 5 - 43 |

| Part No. | Description | Page and Index No. |
|----------|-------------|--------------------|
| | | |